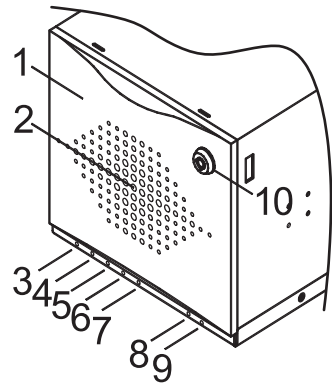


ICY DOCK MB810AKF EXPRESS INSTALLATION GUIDE

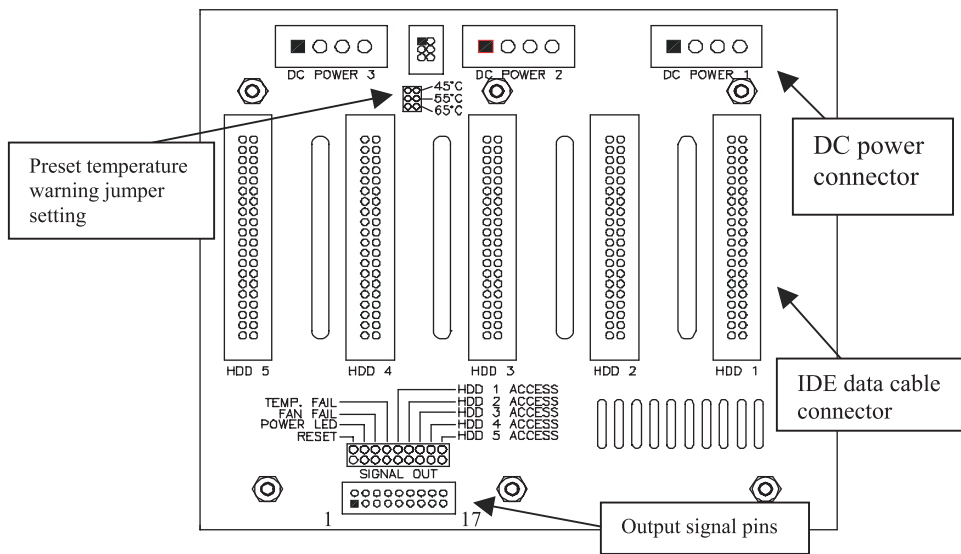
1. MB810 AKF Front Panel Description



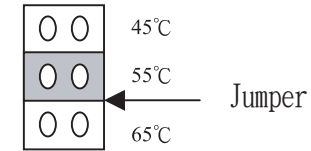
1. Front panel
2. Fan position
3. HDD1 read/write indicator (Amber color)
4. HDD2 read/write indicator (Amber color)
5. HDD3 read/write indicator (Amber color)
6. HDD4 read/write indicator (Amber color)
7. HDD5 read/write indicator (Amber color)
8. Audio alarm warning reset button
9. Power indicator (Green color)
Fan failure & overheat (Amber color)
10. Key lock

2. Rear Back Plane View Description

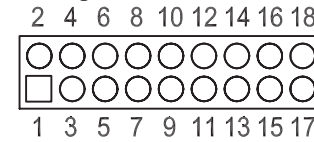
2-1 Back Plane Description



2-2 Preset Temperature Warning Jumper Setting (Default setting at 55°C)



2-3 Output Signal Pins Description



RESET	POWER	FAN FAIL	TEMP FAIL	HDD1	HDD2	HDD3	HDD4	HDD5
PIN1	PIN3	PIN5	PIN7	PIN9	PIN11	PIN13	PIN15	PIN17
+5V	+5V	+5V	+5V	+5V	+5V	+5V	+5V	+5V
PIN2	PIN4	PIN6	PIN8	PIN 10	PIN12	PIN14	PIN16	PIN18
GND	GND	GND	GND	IDE1-39	IDE2-39	IDE3-39	IDE4-39	IDE5-39

3. Hard Drive Installation

- 3-1 Insert the key into the key lock and turn the key counterclockwise then pull to open the front panel (Figure 1).
- 3-2 Gently squeeze the clip handle of the hard drive cartridge and allow the clip handle to drop downwards 90 degrees to extract each cartridge from the housing (Figure 2).

